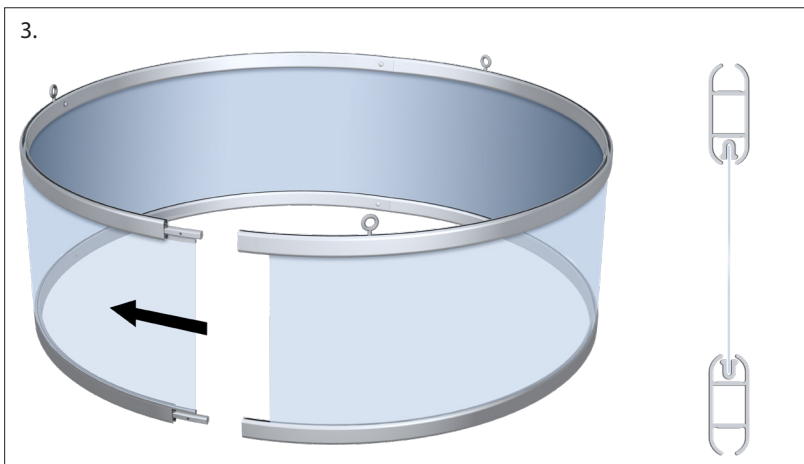
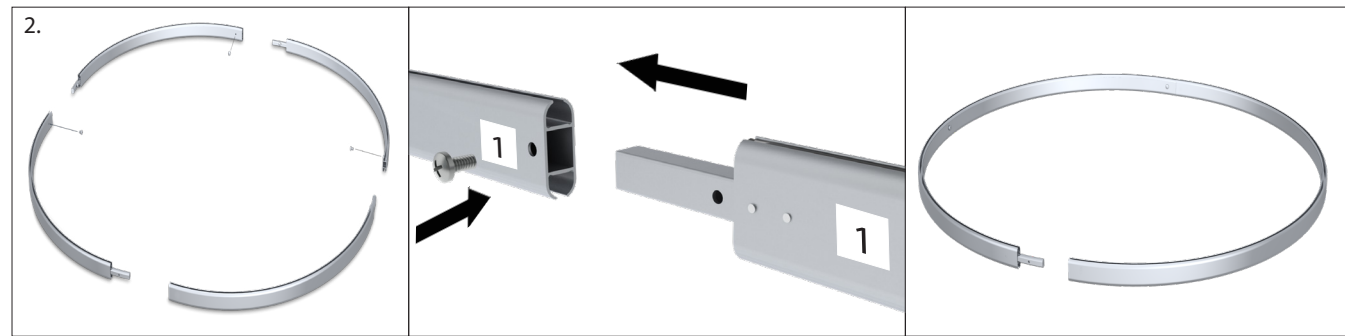
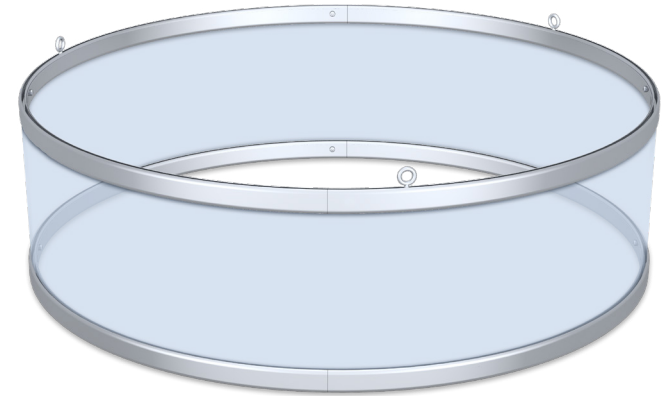


# Halo Rail™ Kit - HRFK, HRSS Series

## For Styrene Graphics - HRSS

1. Staple styrene graphic to top and bottom plastic extrusion. Use a Swingline Optima 70 Desk Stapler, available at your local office supply store.
2. Lay out the rail sections, matching segment #'s (1 with 1, 2 with 2, etc.), then screw together connection points, making sure to leave one side open to allow insertion of graphic. (Quantity of sections varies per model #).
3. To insert graphic, slide plastic extrusion into top and bottom rail as shown. When entire graphic is inserted, screw together final section to complete unit assembly.



# Halo Rail™ Kit - HRFK, HRSS Series

## For Fabric Graphics - HRFK

1. Insert the plastic dowels into the pockets of the graphic, top and bottom
2. Lay out the rail sections, matching segment #'s (1 with 1, 2 with 2, etc.), then screw together connection points, making sure to leave one side open to allow insertion of graphic. (Quantity of sections varies per model #).
3. Insert the graphic with dowels into the channel of the bottom rail, and then the top rail.
4. Finish screwing together the end sections, to close the structure (if applicable).

